

UGJ

Dimensions (mm)	65 x 107
Height (mm)	28
Max. torque (cNm)	1500
Ratios	4 ^{1/6} ... 36.000.000
Internal slipping clutch	none
Standard shaft (mm)	∅ 12 x 20
Weight (g)	480
Motor combination	Series UB, UD, UF



Standard Data

Mounting	any position
Axial thrust F _A	400 N
Lateral force F _R	600 N
Output shafts	∅ 12 x 20, other on request
Climatic class	wide-spread according to DIN IEC 60721-2-1
Ambient temperature operation	°C -15 ... +55
Ambient temperature storage	°C -40 ... +80

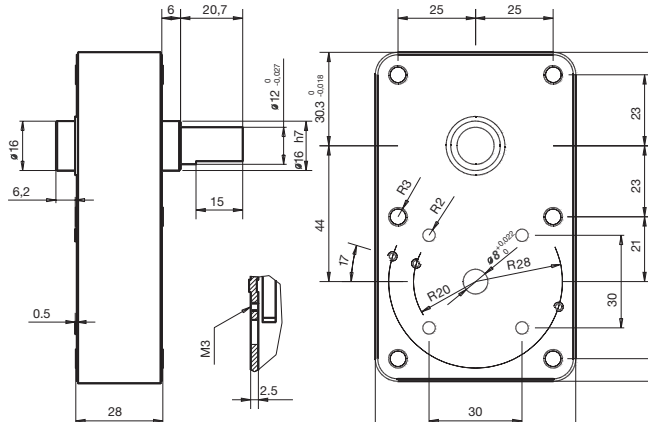
Ratios*	4 ^{1/6}	8 ^{1/3}	16 ^{2/3}	33 ^{1/3}	41 ^{2/3}	50	66 ^{2/3}	83 ^{1/3}	100	125	150	166 ^{2/3}	200
	250	500	1000	2000	2500	3000	4000	5000	6250	8333 ^{1/3}	10000	12500	15000
	20000	25000	30000	37500	60000	75000	120000	150000	300000	375000	750000	1500000	1800000
	2250000	3000000	3600000	4500000	6000000	9000000	11250000	12000000	18000000	36000000			

* For ratio ≥ 2500 combination with UGD

Order Reference

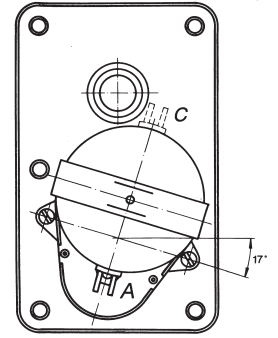
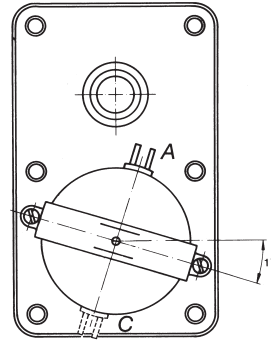
Type	Gearbox	UGJ	100	N	N
Ratio	100				
Slipping clutch	N Without slipping clutch				
Shaft end	N ∅ 12 x 20, other on request				

Dimensions



$i \leq 2000$

$i \geq 2500$



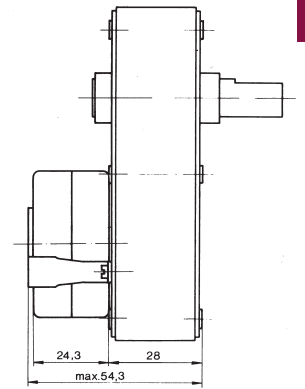
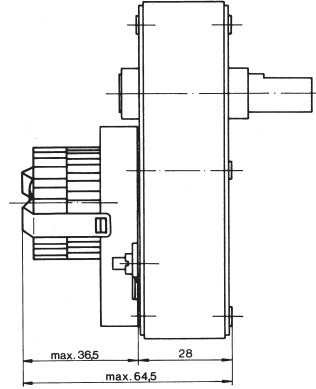
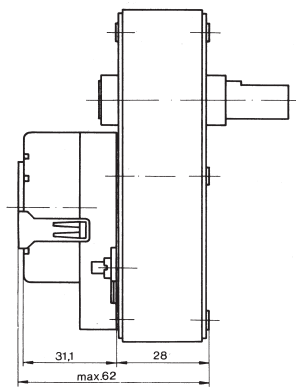
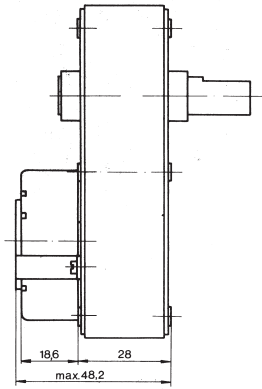
Lead outlet (A = standard position)

UDS 1..J, ≤ 2000

UDS 1..J, ≥ 2500

UBR 1/UBR 2..J, ≥ 2500

UDR 1..J, ≤ 2000

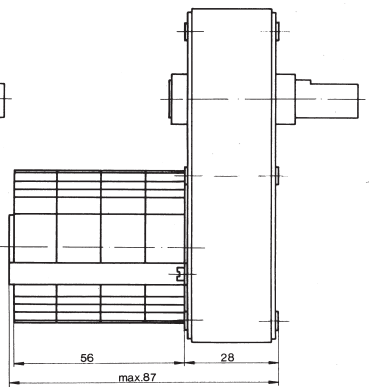
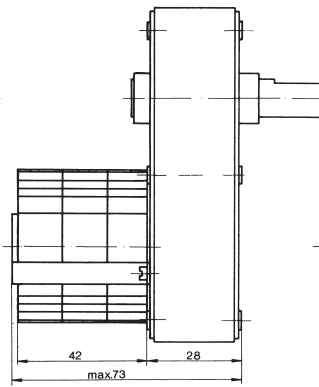
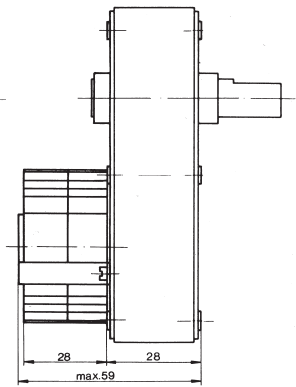
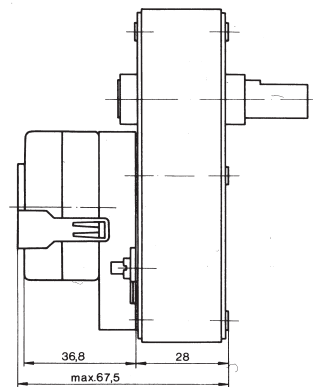


UDR 1..J, $i \geq 2500$

UFM 1/UFU 1/UFR 1..J, $i \leq 2000$

UFR 3..J, $i \leq 2000$

UFR 4..J, $i \leq 2000$



Torque / ratio / life graph

